

A-Series

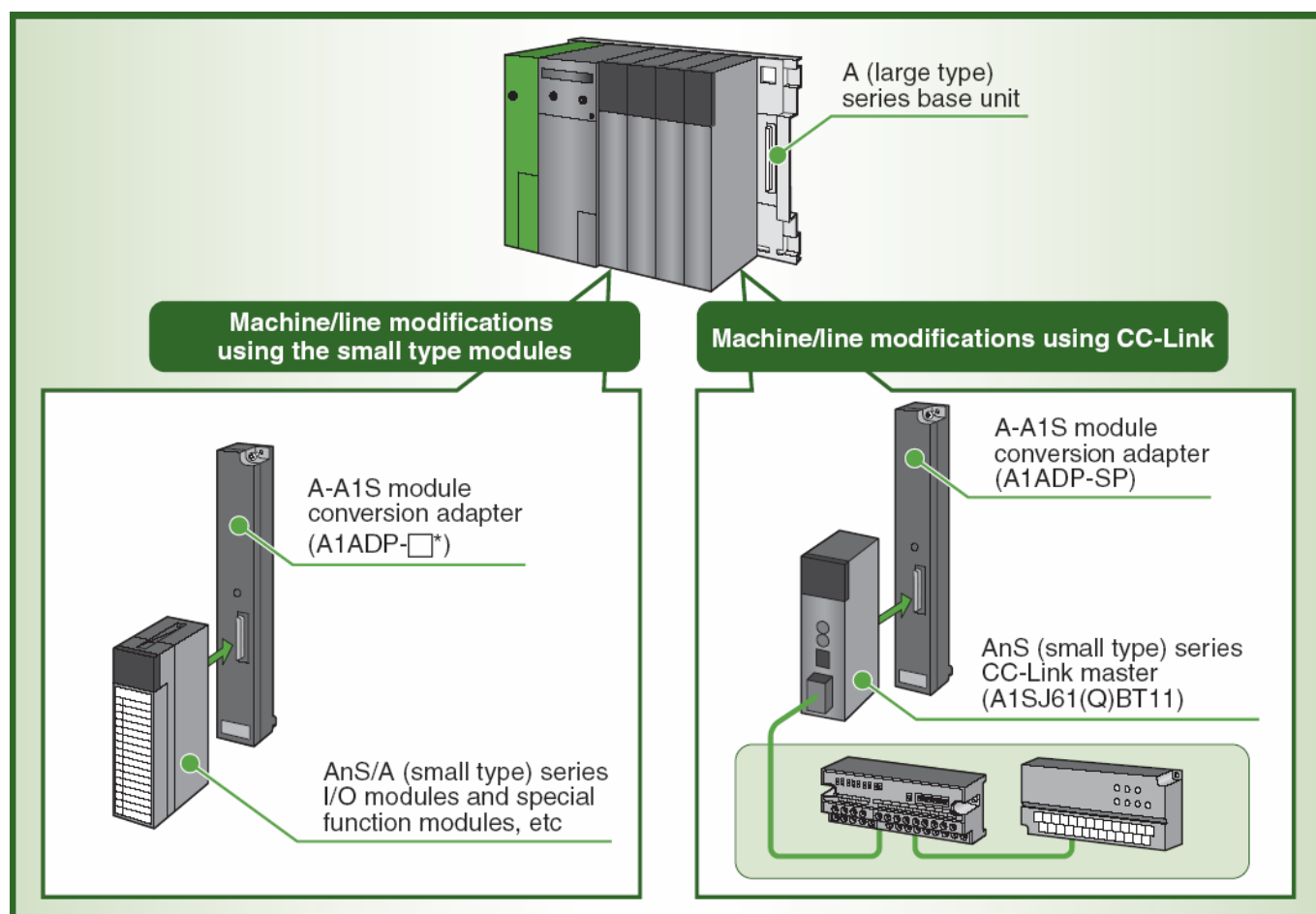
Product Introduction of A1ADP-XY, A1ADP-SP

Date: Oktober 2007

Contact: Econotec AG
 Hinterdorfstrasse 12
 8309 Nürensdorf
 Tel. +41 (0)44 838 48 11
 Fax +41 (0)44 838 48 12

A-Series to AnS Series Module Conversion Adapter

We would like to inform you about the introduction of the new AnS series to A/QnA series conversion adapter. After A/QnA large type series discontinuation, with these conversion adapter it becomes very simple to add AnS series modules to an A/QnA series base unit. These conversion adapters ensure the availability of old systems.



- *: □
- “XY” when the module to be installed is I/O module
 - “SP” when the module to be installed is special function module
- I/O allocation module types (input, output, special) and A-A1S module conversion adapter types may differ.

1. FEATURES

Realizing machine/line modifications of the existing system using small type modules

- Machine/line modifications are possible regardless of the number of I/O points and available open I/O slots.

(1) Machine/line modifications using small type modules

STEP 1

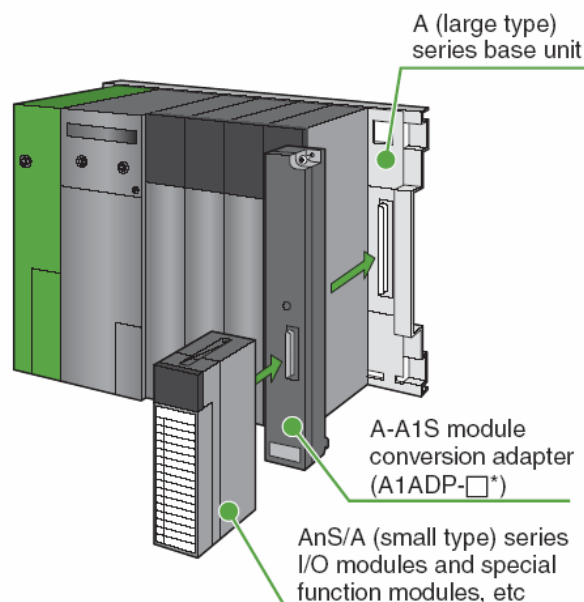
Select from the AnS (small type) series, the units that have the necessary functionality for the machine/line modifications.



STEP 2

Utilizing the A-A1S module conversion adapter, attach the AnS (small type) series module to the A (large type) series base unit empty slot.

* In order to do this machine/line modification, it is necessary to have "Empty slots in the existing system and extra I/O points available".



(2) Machine/line modifications using CC-Link

STEP 1

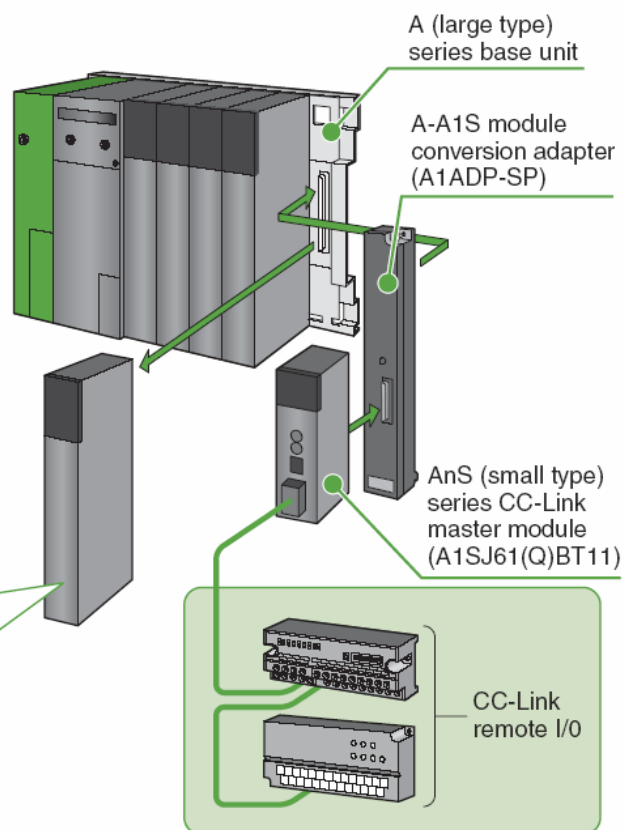
Select from the CC-link product range, the module that has the necessary functionality for the machinery/line modifications.



STEP 2

Attach to the A (large type) empty base slot, the AnS (small type) series CC-Link system master/local station module using the A-A1S module conversion adapter, and add modules using the CC-Link system.

When "there are no open slots on the existing system" or "there are no spare I/O points left", in order to attach the CC-link master/local station module, take off one/or some existing modules from the existing system. Also, add a module on the CC-link remote in order to replace the modules that were removed that corresponds.



Up to three A-A1S module conversion adapters can be installed on one base unit.

Compatible models list

○ : Mountable × : Not mountable

Product	Model	A1ADP usage	Usable adapter
CPU module	A1SJHCPU	×	—
	A1SHCPU	×	—
	A1SCPUC24-R2	×	—
	A2SHCPU	×	—
	A2USCPU	×	—
	A2USHCPU-S1	×	—
	Q2ASCPU	×	—
	Q2ASCPU-S1	×	—
	Q2ASHCPU	×	—
	Q2ASHCPU-S1	×	—
Input module	A1SX10	○	XY
	A1SX10EU	○	XY
	A1SX20	○	XY
	A1SX20EU	○	XY
	A1SX30	○	XY
	A1SX40	○	XY
	A1SX40-S1	○	XY
	A1SX40-S2	○	XY
	A1SX41	○	XY
	A1SX41-S1	○	XY
	A1SX41-S2	○	XY
	A1SX42	○	XY
	A1SX42-S1	○	XY
	A1SX42-S2	○	XY
	A1SX71	○	XY
	A1SX80	○	XY
	A1SX80-S1	○	XY
	A1SX80-S2	○	XY
	A1SX81	○	XY
	A1SX81-S2	○	XY
A1SX82-S1	○	XY	
Output module	A1SY10	○	XY
	A1SY10EU	○	XY
	A1SY14EU	○	XY
	A1SY18A	○	XY
	A1SY18AEU	○	XY
	A1SY22	○	XY
	A1SY28A	○	XY
	A1SY40	○	XY
	A1SY41	○	XY
	A1SY42P	○	XY
	A1SY50	○	XY
	A1SY60	○	XY
	A1SY60E	○	XY
	A1SY68A	○	XY
	A1SY71	○	XY
	A1SY80	○	XY
	A1SY81	○	XY
	A1SY82	○	XY
I/O composite module	A1SH42	○	XY
	A1SH42-S1	○	XY
	A1SX48Y58	○	XY
	A1SX48Y18	○	XY
	A1SJ-56DR	×	—
	A1SJ-56DT	×	—
Dynamic scan input module	A1S42X	○	XY
Dynamic scan output module	A1S42Y	○	XY
Dummy module	A1SG62	○	XY
Interrupt module	A1SI61	○	XY*1
Power supply module	A1S61PN	×	—
	A1S62PN	×	—
	A1S63P	×	—
Pulse catch module	A1SP60	○	XY
Analog timer module	A1ST60	○	XY
MODBUS interface module	A1SJ71UC24-R2-S2	○	SP
	A1SJ71UC24-R4-S2	○	SP
Profibus-DP interface module	A1SJ71PB92D	○	SP
Profibus-FMS interface module	A1SJ71PB96F	○	SP
DeviceNet master module	A1SJ71DN91	○	SP

○: Mountable X: Not mountable

Product	Model	A1ADP usage	Usable adapter
Analog input module	A1S64AD	○	SP
	A1S68AD	○	SP
Analog output module	A1S62DA	○	SP
	A1S68DAI	○	SP
	A1S68DAV	○	SP
	A1S63ADA	○	SP
Analog I/O module	A1S66ADA	○	XY
	A1S62RD3N	○	SP
Temperature input module	A1S62RD4N	○	SP
	A1S68TD	○	SP
	A1S62TCTT-S2	○	SP
Temperature control module	A1S62TCRTBW-S2	○	SP
	A1S62TCRT-S2	○	SP
	A1S62TCTTBW-S2	○	SP
	A1S64TCTT-S1	○	SP
	A1S64TCTTBW-S1	○	SP
	A1S64TCRT-S1	○	SP
	A1S64TCRTBW-S1	○	SP
High-speed counter module	A1SD61	○	SP
	A1SD62	○	SP
	A1SD62E	○	SP
	A1SD62D	○	SP
	A1SD62D-S1	○	SP
	A1SD70	X	—
Positioning module	A1SD75M1	○	SP
	A1SD75M2	○	SP
	A1SD75M3	○	SP
	A1SD75P1-S3	○	SP
	A1SD75P2-S3	○	SP
	A1SD75P3-S3	○	SP
	A1S62LS	○	SP
Position detection module	A1SD51S	○	SP
Intelligent communication module	A1SJ71E71N-B2	○	SP
Ethernet module	A1SJ71E71N-B5	○	SP
	A1SJ71E71N3-T	○	SP
	A1SJ71QE71N-B2	○	SP
	A1SJ71QE71N-B5	○	SP
	A1SJ71QE71N3-T	○	SP
	A1SJ71QC24N	○	SP
Serial communication module	A1SJ71QC24N-R2	○	SP
	A1SJ71AT21B	○	SP
MELSECNET/B data link module	A1SJ72T25B	X	—
MELSECNET data link module	A1SJ71AP21	○	SP
	A1SJ71AR21	○	SP
CC-Link master/local module	A1SJ61BT11	○	SP
	A1SJ61QBT11	○	SP
MELSECNET/MINI-S3 master module*2	A1SJ71PT32-S3	○	SP
MELSEC-I/OLINK master module	A1SJ51T64	○	SP*1
JEMANET(OPCN-1) interface module	A1SJ71J92-S3	○	SP
	A1SJ72J95	X	—
B/NET interface module	A1SJ71B62-S3	○	SP
Computer link module	A1SJ71UC24-R2	○	SP
	A1SJ71UC24-PRF	○	SP
	A1SJ71UC24-R4	○	SP
	A1SJ71LP21	○	SP
MELSECNET/10 network module*3	A1SJ71BR11	○	SP
	A1SJ71LR21	○	SP
	A1SJ71QLP21	○	SP
	A1SJ71QLP21S	X	—
	A1SJ71QLR21	○	SP
	A1SJ72QLP25	X	—
	A1SJ72QLR25	X	—
	A1SJ71QBR11	○	SP
	A1SJ72QBR15	X	—
	A1SJ71SL92N	○	SP
	S-LINK master module	A1SJ71AS92	○
AS-i master module	A1SJ71CMO-S3	○	SP
Modem interface module	A1SS91	○	SP*1
PC fault detection module	A1SD59J-S2	○	SP
Memory card interface module	A1SD35ID1	○	SP
ID interface module	A1SD35ID2	○	SP

*1: Note that the types of I/O allocation module and A-A1S module conversion adapter are different.

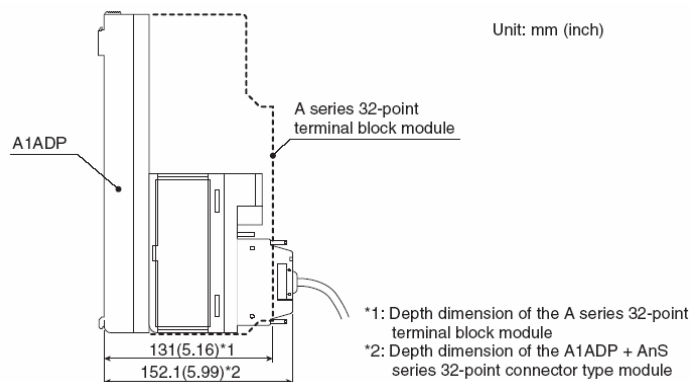
*2: The A1SJ71PT32-S3 will be discontinued in September 2008.

*3: The production of the large type MELSECNET/10 network module will be continued so that you can replace the MELSECNET(II) or MELSECNET/B to the MELSECNET/10. Therefore, use an A/QnA (large type) series module for a large type MELSECNET/10 network module, though the usage of the A-A1S module conversion adapter is shown.

Attention in use / Restrictions

- **The number of mounted modules of each one base unit**
Up to three module scan be installed to one base unit. Use within the available number of modules mounted to each unit to execute proper operation.
- **5VDC internal current consumption**
When replacing the A (large type) series module by the AnS (small type) series module, the internal current consumption may increase. At replacement, confirm that the current consumption of the modules mounted on the base unit does not exceed the rated output current of the power supply module used.
- **Installing on the extension base units which do not require power supply module**
If the AnS series module is installed to an extension base unit not needing a power supply module (A52B, A55B, A58B) , confirm that the voltage at the receiving end is more than 4.75V.
- **Installing the dustproof cover**
Be sure to attach a dustproof cover to prevent defect or an electric shock caused by foreign objects entering to inside the module.
 - AnS (small type) series module
Install to the A-A1S conversion adapter after attaching the dustproof cover included with it to the AnS (small type) series module.
 - A (large type) series module
When using the A (large type) series module to which the A-A1S module conversion adapter has been installed on the right side, attach a dustproof cover to the module.
- **Replacing existing module**
When replacing the A (large type) series module by the AnS (small type) series module, the specifications differ depend on the modules. Refer to the technical news (T99-0050F or later) for confirmation of the equivalents and specifications.
- **Output module with a fuse**
The AnS (small type) series output module with a fuse detects fuse blown if external power supply has been input. Use special relay M9084 (error check) at power on with the external power supply OFF so that fuse blown may not be detected.
- **Depth and dimensions of the AnS (small type) series 32-point I/O connector type module**

When replacing the large type 32-point terminal block module by the small type 32-point connector type module, the depth dimensions may increase. Check the depth dimensions for the installation site.



3. PERFORMANCE SPECIFIKATION

Item	Model	A1ADP-XY	A1ADP-SP
5VDC internal current consumption		3.4mA	0mA
External dimensions		250mm(H) x 37.5mm(W) x 35.5mm(D)	
Weight		0.2kg	
Supplied parts		The dustproof cover for the AnS (small type) series	

External dimensions

